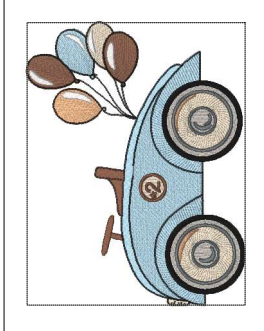


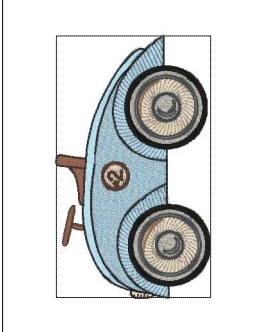
- 1. Toast (Mar:1138)
- 2. Light Blue (Mar:1057)
- 3. Ecu (Mar:1127)
- 4. Brown (Mar:1307)
- 5. Black (Def:14)
- 6. White (Def:13)
- 7. Light Blue (Mar:1057)
- 8. Ecu (Mar:1127)
- 9. Brown (Mar:1307)
- 10. Black (Def:14)
- 11. Lt Grey (Def:20)
- 12. Ecu (Mar:1127)
- 13. Toast (Mar:1138)
- 14. Dark Grey (Mar:1408)
- 15. Black (Def:14)
- 16. Brown (Mar:1307)
- 17. Brown (Mar:1310)
- 18. Royal Blue (Mar:1066)
- 19. Light Blue (Mar:1057)
- 20. Dark Grey (Mar:1408)
- 21. Yellow (Mar:1005)
- 22. Brown (Mar:1310)

See164_car1.art50
5.04x6.13 inches; 30,410 stitches
22 thread changes; 11 colors



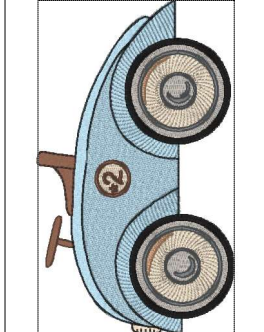
- 1. Toast (Mar:1138)
- 2. Light Blue (Mar:1057)
- 3. Ecu (Mar:1127)
- 4. Brown (Mar:1307)
- 5. Black (Def:14)
- 6. White (Def:13)
- 7. Light Blue (Mar:1057)
- 8. Ecu (Mar:1127)
- 9. Brown (Mar:1307)
- 10. Black (Def:14)
- 11. Lt Grey (Def:20)
- 12. Ecu (Mar:1127)
- 13. Toast (Mar:1138)
- 14. Dark Grey (Mar:1408)
- 15. Black (Def:14)
- 16. Brown (Mar:1307)
- 17. Brown (Mar:1310)

See164_car2.art50
5.03x6.53 inches; 31,864 stitches
17 thread changes; 9 colors



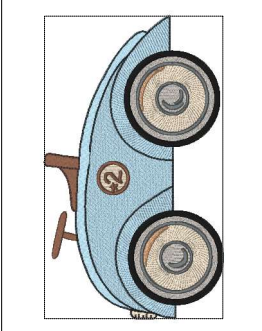
- 1. Light Blue (Mar:1057)
- 2. Ecu (Mar:1127)
- 3. Brown (Mar:1307)
- 4. Black (Def:14)
- 5. Lt Grey (Def:20)
- 6. Ecu (Mar:1127)
- 7. Toast (Mar:1138)
- 8. Dark Grey (Mar:1408)
- 9. Black (Def:14)
- 10. Brown (Mar:1307)
- 11. Brown (Mar:1310)

See164_car3_4x4.art50
2.32x3.94 inches; 16,039 stitches
11 thread changes; 8 colors



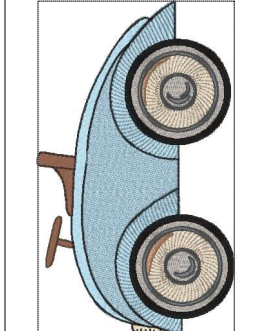
- 1. Light Blue (Mar:1057)
- 2. Ecu (Mar:1127)
- 3. Brown (Mar:1307)
- 4. Black (Def:14)
- 5. Lt Grey (Def:20)
- 6. Ecu (Mar:1127)
- 7. Toast (Mar:1138)
- 8. Dark Grey (Mar:1408)
- 9. Black (Def:14)
- 10. Brown (Mar:1307)
- 11. Brown (Mar:1310)

See164_car3_5x5.art50
2.95x5.00 inches; 22,148 stitches
11 thread changes; 8 colors



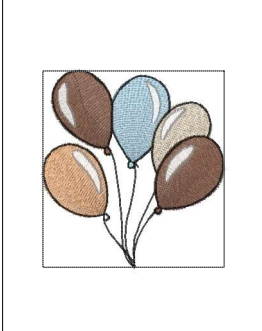
- 1. Light Blue (Mar:1057)
- 2. Ecu (Mar:1127)
- 3. Brown (Mar:1307)
- 4. Black (Def:14)
- 5. Lt Grey (Def:20)
- 6. Ecu (Mar:1127)
- 7. Toast (Mar:1138)
- 8. Dark Grey (Mar:1408)
- 9. Black (Def:14)
- 10. Brown (Mar:1307)
- 11. Brown (Mar:1310)

See164_car3_5x7.art50
4.13x6.99 inches; 35,905 stitches
11 thread changes; 8 colors



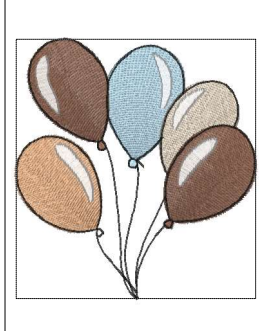
- 1. Light Blue (Mar:1057)
- 2. Ecu (Mar:1127)
- 3. Brown (Mar:1307)
- 4. Black (Def:14)
- 5. Lt Grey (Def:20)
- 6. Ecu (Mar:1127)
- 7. Toast (Mar:1138)
- 8. Dark Grey (Mar:1408)
- 9. Black (Def:14)
- 10. Brown (Mar:1307)
- 11. Brown (Mar:1310)

See164_car4_5x5.art50
2.95x5.00 inches; 21,313 stitches
11 thread changes; 8 colors



- 1. Toast (Mar:1138)
- 2. Light Blue (Mar:1057)
- 3. Ecu (Mar:1127)
- 4. Brown (Mar:1307)
- 5. Black (Def:14)
- 6. White (Def:13)

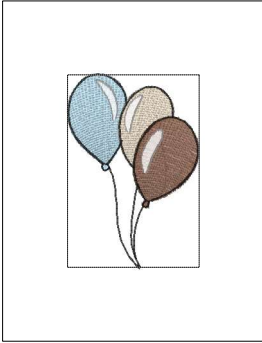
See164_car_balloons5_3x3.art50
2.72x2.95 inches; 4,837 stitches
6 thread changes; 6 colors



- 1. Toast (Mar:1138)
- 2. Light Blue (Mar:1057)
- 3. Ecu (Mar:1127)
- 4. Brown (Mar:1307)
- 5. Black (Def:14)
- 6. White (Def:13)

See164_car_balloons5_4x4.art50
3.60x3.90 inches; 7,513 stitches
6 thread changes; 6 colors

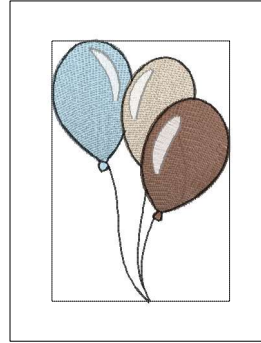
Printed 1/25/2021



- 1. Light Blue (Mar:1057)
- 2. Ecu (Mar:1127)
- 3. Brown (Mar:1307)
- 4. Black (Def:14)
- 5. White (Def:13)

See164_car_balloons6_3x3.art50

1.98x2.89 inches; 2,965 stitches
5 thread changes; 5 colors



- 1. Light Blue (Mar:1057)
- 2. Ecu (Mar:1127)
- 3. Brown (Mar:1307)
- 4. Black (Def:14)
- 5. White (Def:13)

See164_car_balloons6_4x4.art50

2.67x3.91 inches; 4,736 stitches
5 thread changes; 5 colors