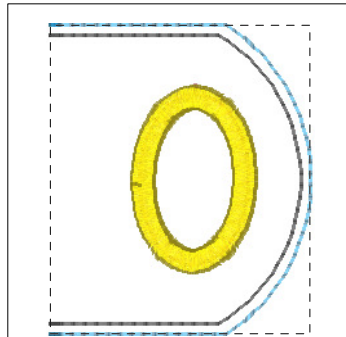


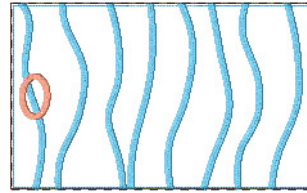
Flap_5x7.pes

1.46x1.72 inches; 648 stitches
7 thread changes; 7 colors



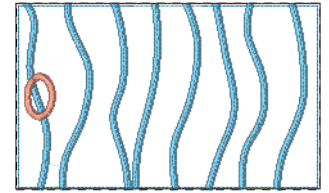
Flap_6x10.pes

2.11x2.51 inches; 920 stitches
7 thread changes; 7 colors



Pcket_6x10.pes

10.08x6.20 inches; 14,700 stitches
18 thread changes; 15 colors



Pocket_5x7.pes

6.98x4.30 inches; 10,058 stitches
18 thread changes; 15 colors