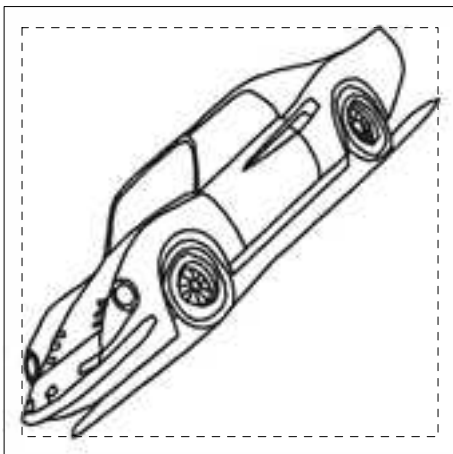


EO706 Please enjoy this fun set of sports cars. This bw set sews out quickly in bean stitch Beryl - Emerald Originals

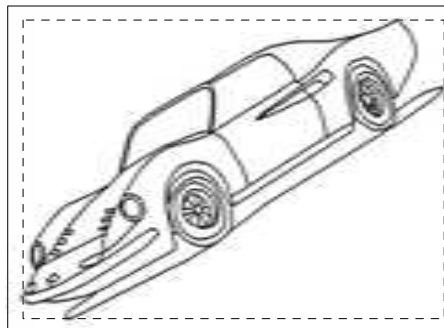
Printed 12/15/2018



■ 1. Black (Bro:900)

Eo706-Bw-01-4x4.pes

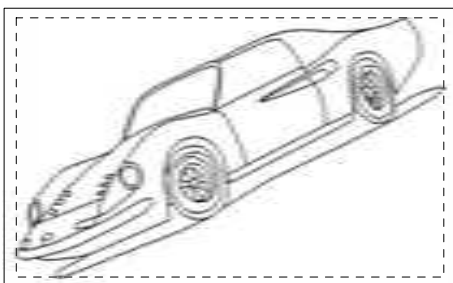
3.62x3.56 inches; 2,650 stitches
1 thread changes; 1 colors



■ 1. Black (Bro:900)

Eo706-Bw-01-5x7.pes

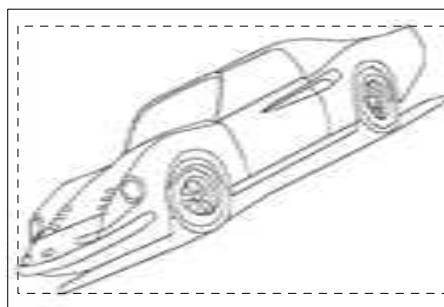
6.61x4.68 inches; 4,538 stitches
1 thread changes; 1 colors



■ 1. Black (Bro:900)

Eo706-Bw-01-6x10.pes

9.69x5.87 inches; 6,274 stitches
1 thread changes; 1 colors



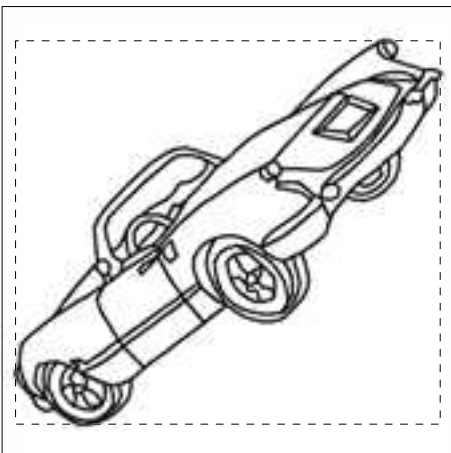
■ 1. Black (Bro:900)

Eo706-Bw-01-8x12.pes

11.28x6.99 inches; 7,392 stitches
1 thread changes; 1 colors

EO706 Please enjoy this fun set of sports cars. This bw set sews out quickly in bean stitch Beryl - Emerald Originals

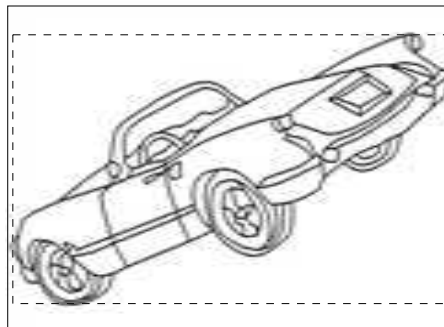
Printed 12/15/2018



■ 1. Black (Bro:900)

Eo706-Bw-02-4x4.pes

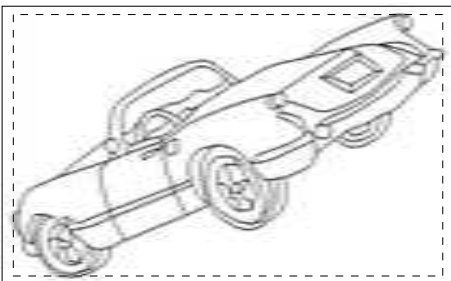
3.70x3.34 inches; 2,758 stitches
1 thread changes; 1 colors



■ 1. Black (Bro:900)

Eo706-Bw-02-5x7.pes

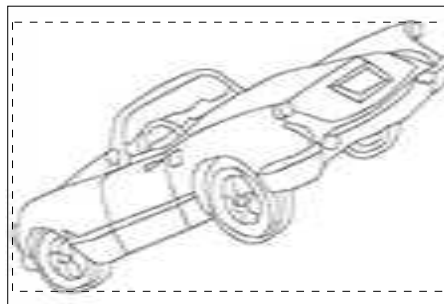
6.93x4.22 inches; 4,934 stitches
1 thread changes; 1 colors



■ 1. Black (Bro:900)

Eo706-Bw-02-6x10.pes

9.72x5.92 inches; 6,774 stitches
1 thread changes; 1 colors



■ 1. Black (Bro:900)

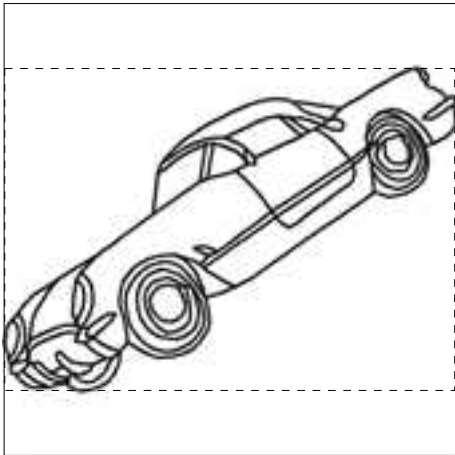
Eo706-Bw-02-8x12.pes

11.56x7.04 inches; 8,002 stitches
1 thread changes; 1 colors

EO706 Please enjoy this fun set of sports cars. This bw set sews out quickly in bean stitch Beryl - Emerald Originals

D:\00 SEWING AND EMBROIDERY\00 EMERALD ORIGINALS\000 non golden group sets\00000 EO Sets\EO706-EO707-Zipping Down the Highway\EO706

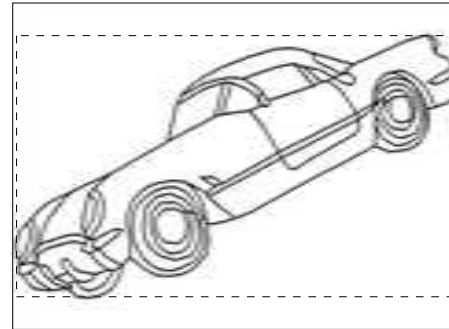
Printed 12/15/2018



■ 1. Black (Bro:900)

Eo706-Bw-03-4x4.pes

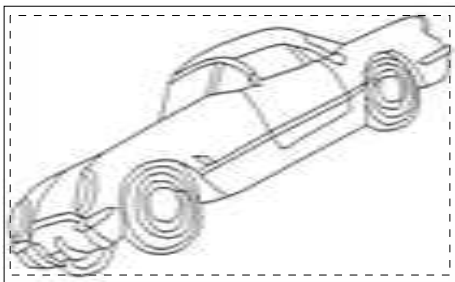
3.92x2.80 inches; 2,710 stitches
1 thread changes; 1 colors



■ 1. Black (Bro:900)

Eo706-Bw-03-5x7.pes

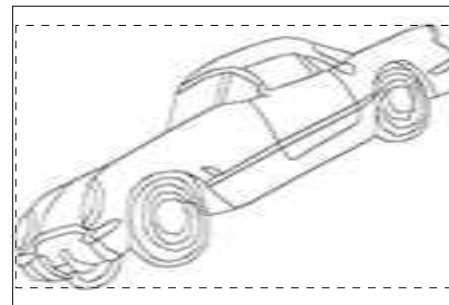
6.96x4.10 inches; 4,430 stitches
1 thread changes; 1 colors



■ 1. Black (Bro:900)

Eo706-Bw-03-6x10.pes

9.96x5.88 inches; 6,290 stitches
1 thread changes; 1 colors



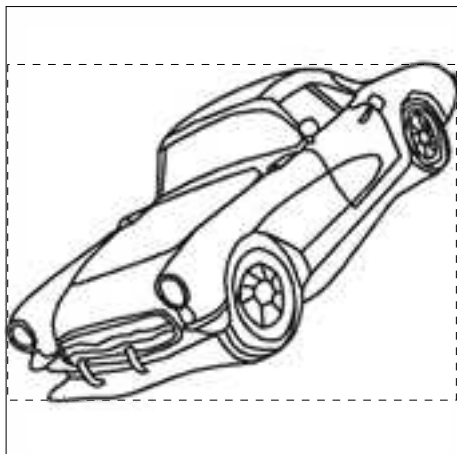
■ 1. Black (Bro:900)

Eo706-Bw-03-8x12.pes

11.65x6.86 inches; 7,262 stitches
1 thread changes; 1 colors

EO706 Please enjoy this fun set of sports cars. This bw set sews out quickly in bean stitch Beryl - Emerald Originals

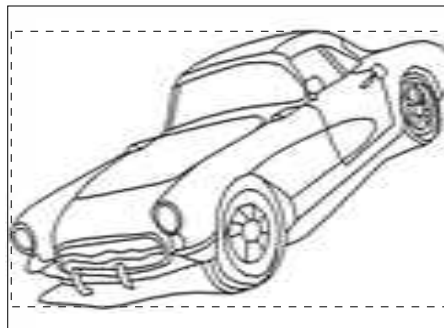
Printed 12/15/2018



■ 1. Black (Bro:900)

Eo706-Bw-04-4x4.pes

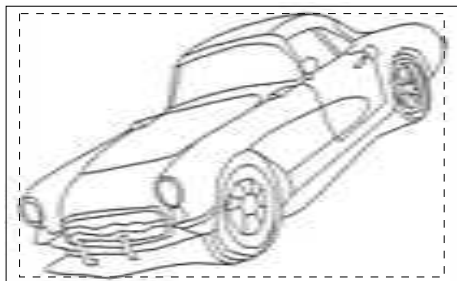
3.91x2.93 inches; 3,594 stitches
1 thread changes; 1 colors



■ 1. Black (Bro:900)

Eo706-Bw-04-5x7.pes

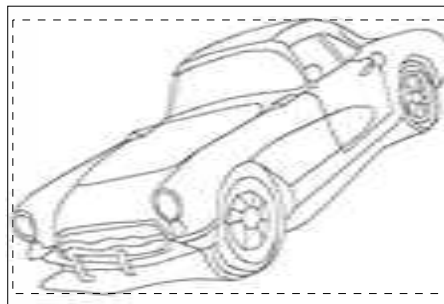
6.97x4.32 inches; 5,718 stitches
1 thread changes; 1 colors



■ 1. Black (Bro:900)

Eo706-Bw-04-6x10.pes

9.62x5.96 inches; 7,710 stitches
1 thread changes; 1 colors



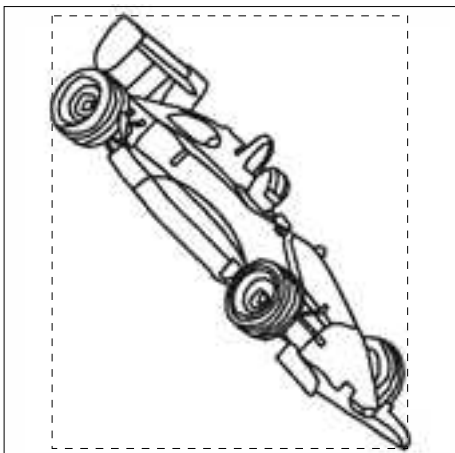
■ 1. Black (Bro:900)

Eo706-Bw-04-8x12.pes

11.55x7.15 inches; 9,226 stitches
1 thread changes; 1 colors

EO706 Please enjoy this fun set of sports cars. This bw set sews out quickly in bean stitch Beryl - Emerald Originals

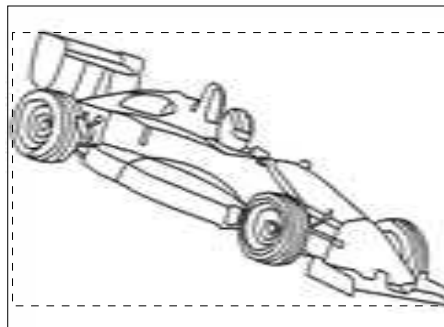
Printed 12/15/2018



■ 1. Black (Bro:900)

Eo706-Bw-05-4x4.pes

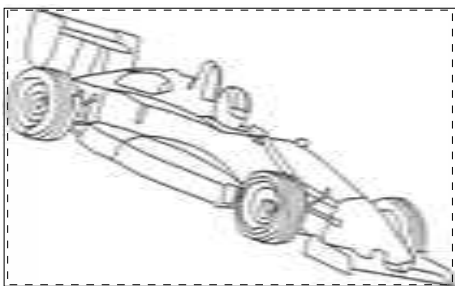
3.10x3.77 inches; 3,126 stitches
1 thread changes; 1 colors



■ 1. Black (Bro:900)

Eo706-Bw-05-5x7.pes

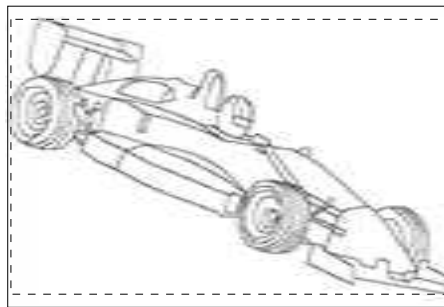
6.94x4.28 inches; 5,218 stitches
1 thread changes; 1 colors



■ 1. Black (Bro:900)

Eo706-Bw-05-6x10.pes

10.08x6.22 inches; 7,382 stitches
1 thread changes; 1 colors



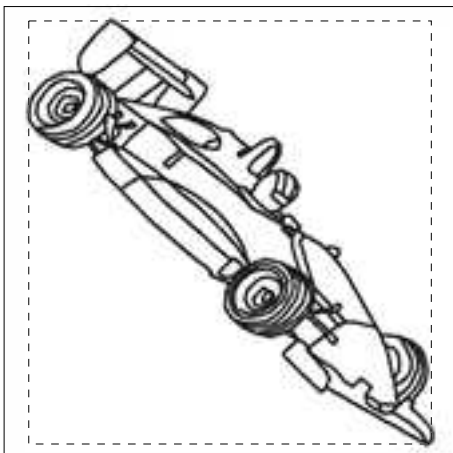
■ 1. Black (Bro:900)

Eo706-Bw-05-8x12.pes

11.65x7.19 inches; 8,490 stitches
1 thread changes; 1 colors

EO706 Please enjoy this fun set of sports cars. This bw set sews out quickly in bean stitch Beryl - Emerald Originals

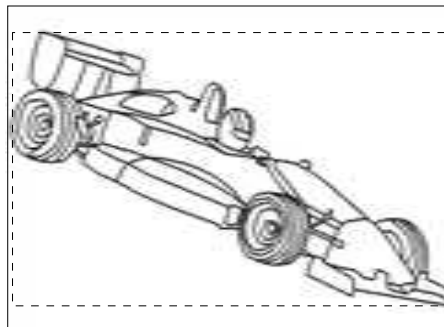
Printed 12/15/2018



■ 1. Black (Bro:900)

Eo706-Bw-06-4x4.pes

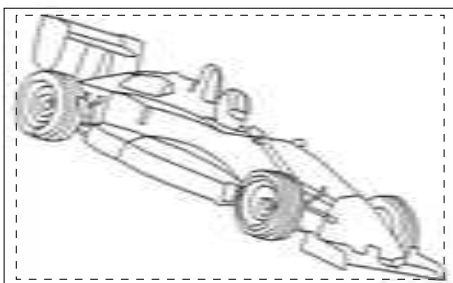
3.50x3.69 inches; 3,126 stitches
1 thread changes; 1 colors



■ 1. Black (Bro:900)

Eo706-Bw-06-5x7.pes

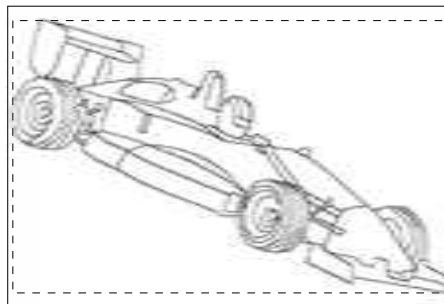
6.94x4.28 inches; 5,218 stitches
1 thread changes; 1 colors



■ 1. Black (Bro:900)

Eo706-Bw-06-6x10.pes

9.69x5.98 inches; 7,132 stitches
1 thread changes; 1 colors



■ 1. Black (Bro:900)

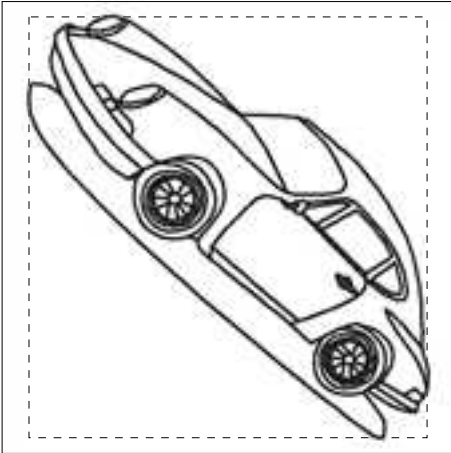
Eo706-Bw-06-8x12.pes

11.55x7.13 inches; 8,438 stitches
1 thread changes; 1 colors

EO706 Please enjoy this fun set of sports cars. This bw set sews out quickly in bean stitch Beryl - Emerald Originals

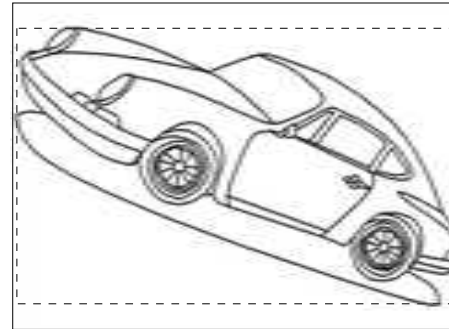
D:\00 SEWING AND EMBROIDERY\00 EMERALD ORIGINALS\000 non golden group sets\00000 EO Sets\EO706-EO707-Zipping Down the Highway\EO706

Printed 12/15/2018



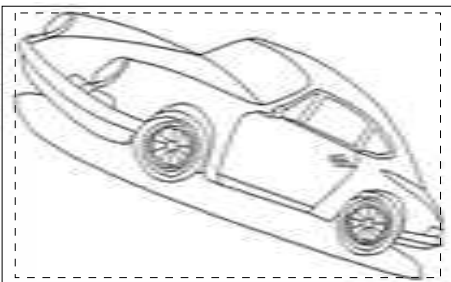
■ 1. Black (Bro:900)

Eo706-Bw-07-4x4.pes
3.46x3.67 inches; 3,090 stitches
1 thread changes; 1 colors



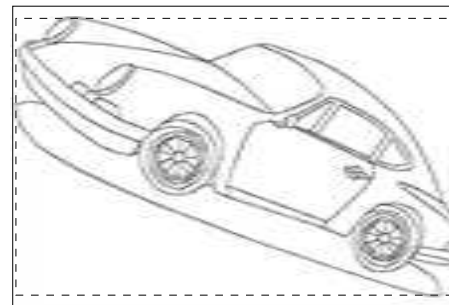
■ 1. Black (Bro:900)

Eo706-Bw-07-5x7.pes
6.96x4.32 inches; 5,254 stitches
1 thread changes; 1 colors



■ 1. Black (Bro:900)

Eo706-Bw-07-6x10.pes
9.63x6.00 inches; 7,190 stitches
1 thread changes; 1 colors



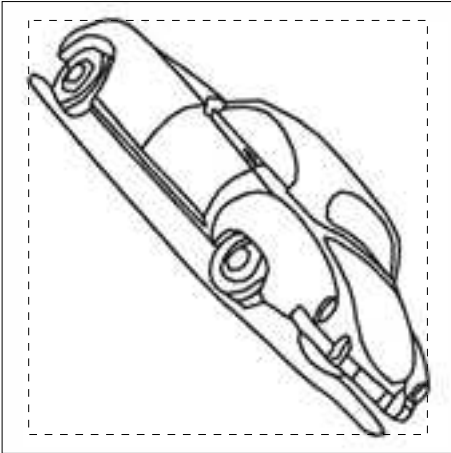
■ 1. Black (Bro:900)

Eo706-Bw-07-8x12.pes
11.64x7.24 inches; 8,678 stitches
1 thread changes; 1 colors

EO706 Please enjoy this fun set of sports cars. This bw set sews out quickly in bean stitch Beryl - Emerald Originals

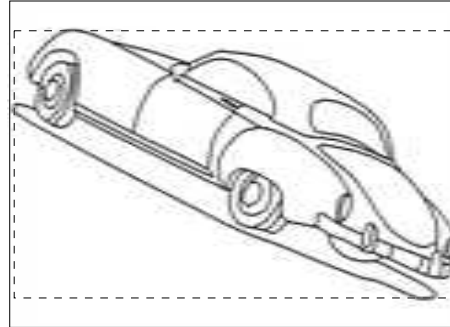
D:\00 SEWING AND EMBROIDERY\00 EMERALD ORIGINALS\000 non golden group sets\00000 EO Sets\EO706-EO707-Zipping Down the Highway\EO706

Printed 12/15/2018



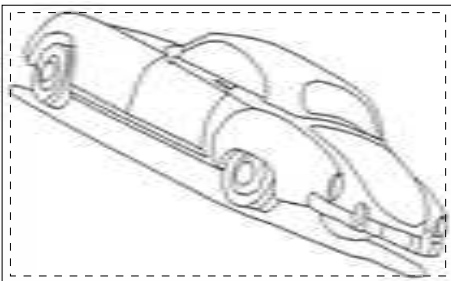
■ 1. Black (Bro:900)

Eo706-Bw-08-4x4.pes
3.47x3.61 inches; 2,050 stitches
1 thread changes; 1 colors



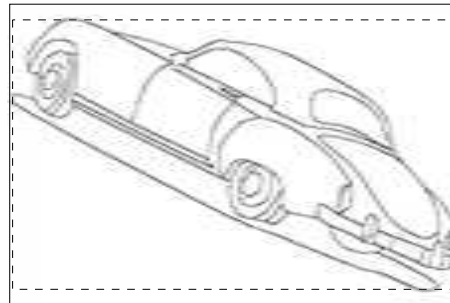
■ 1. Black (Bro:900)

Eo706-Bw-08-5x7.pes
6.94x4.19 inches; 4,058 stitches
1 thread changes; 1 colors



■ 1. Black (Bro:900)

Eo706-Bw-08-6x10.pes
9.86x5.96 inches; 5,686 stitches
1 thread changes; 1 colors



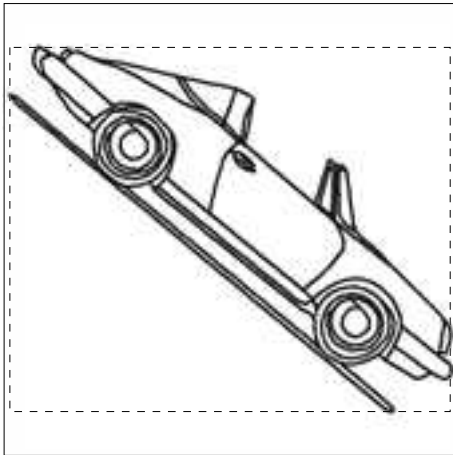
■ 1. Black (Bro:900)

Eo706-Bw-08-8x12.pes
11.67x7.05 inches; 6,698 stitches
1 thread changes; 1 colors

EO706 Please enjoy this fun set of sports cars. This bw set sews out quickly in bean stitch Beryl - Emerald Originals

D:\00 SEWING AND EMBROIDERY\00 EMERALD ORIGINALS\000 non golden group sets\00000 EO Sets\EO706-EO707-Zipping Down the Highway\EO706

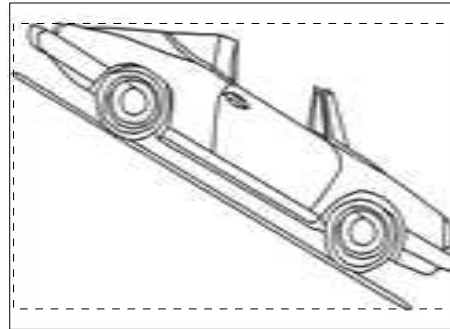
Printed 12/15/2018



■ 1. Black (Bro:900)

Eo706-Bw-09-4x4.pes

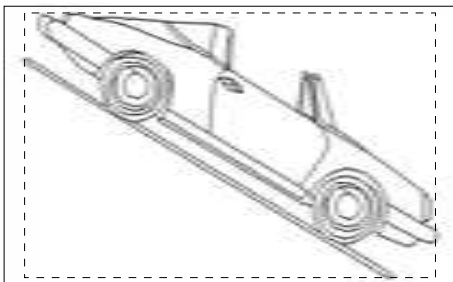
3.83x3.17 inches; 2,594 stitches
1 thread changes; 1 colors



■ 1. Black (Bro:900)

Eo706-Bw-09-5x7.pes

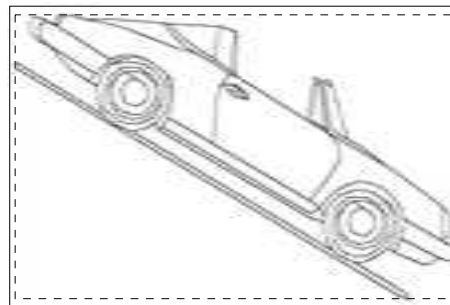
6.97x4.48 inches; 4,462 stitches
1 thread changes; 1 colors



■ 1. Black (Bro:900)

Eo706-Bw-09-6x10.pes

9.31x5.99 inches; 5,922 stitches
1 thread changes; 1 colors



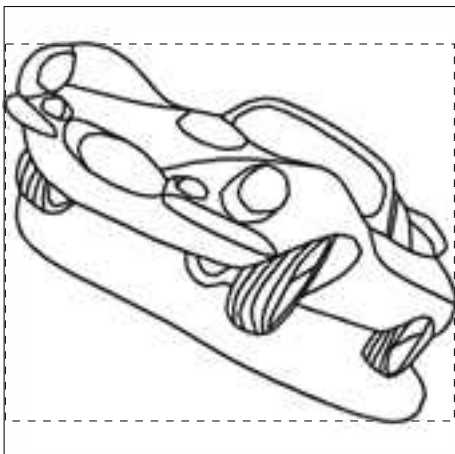
■ 1. Black (Bro:900)

Eo706-Bw-09-8x12.pes

11.54x7.42 inches; 7,302 stitches
1 thread changes; 1 colors

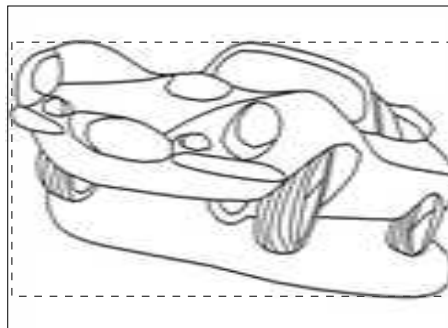
EO706 Please enjoy this fun set of sports cars. This bw set sews out quickly in bean stitch Beryl - Emerald Originals

Printed 12/15/2018



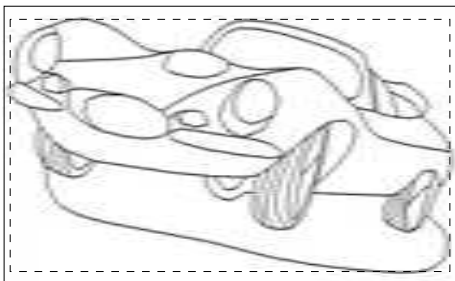
■ 1. Black (Bro:900)

Eo706-Bw-10-4x4.pes
3.91x3.28 inches; 2,930 stitches
1 thread changes; 1 colors



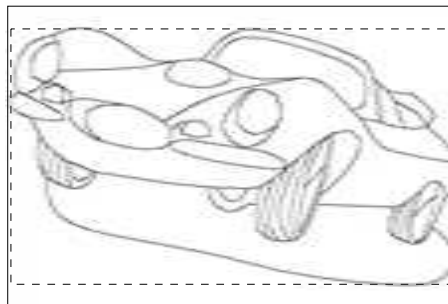
■ 1. Black (Bro:900)

Eo706-Bw-10-5x7.pes
6.96x3.99 inches; 4,686 stitches
1 thread changes; 1 colors



■ 1. Black (Bro:900)

Eo706-Bw-10-6x10.pes
9.96x5.71 inches; 6,622 stitches
1 thread changes; 1 colors



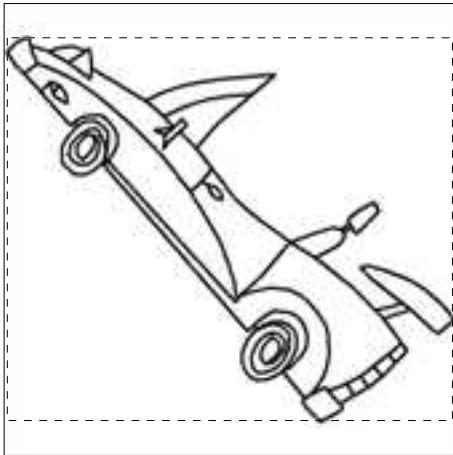
■ 1. Black (Bro:900)

Eo706-Bw-10-8x12.pes
11.64x6.67 inches; 7,690 stitches
1 thread changes; 1 colors

EO706 Please enjoy this fun set of sports cars. This bw set sews out quickly in bean stitch Beryl - Emerald Originals

D:\00 SEWING AND EMBROIDERY\00 EMERALD ORIGINALS\000 non golden group sets\00000 EO Sets\EO706-EO707-Zipping Down the Highway\EO706

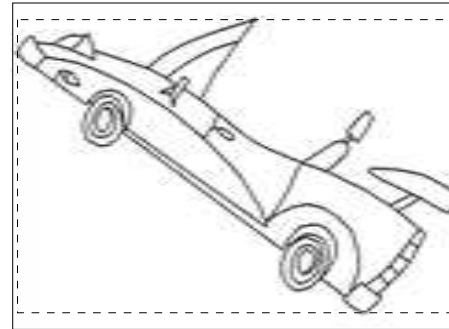
Printed 12/15/2018



■ 1. Black (Bro:900)

Eo706-Bw-11-4x4.pes

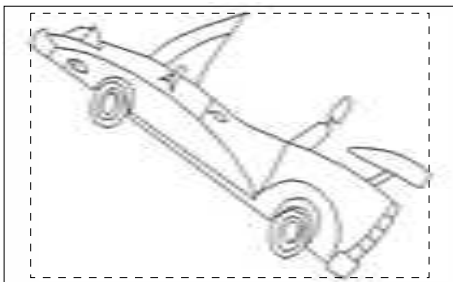
3.88x3.33 inches; 2,102 stitches
1 thread changes; 1 colors



■ 1. Black (Bro:900)

Eo706-Bw-11-5x7.pes

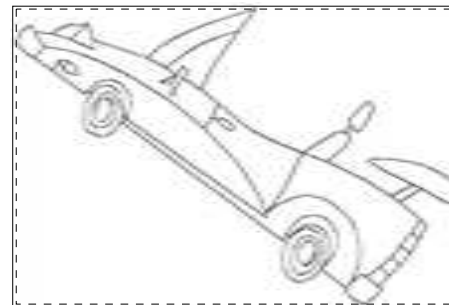
6.93x4.60 inches; 3,242 stitches
1 thread changes; 1 colors



■ 1. Black (Bro:900)

Eo706-Bw-11-6x10.pes

9.03x5.99 inches; 4,192 stitches
1 thread changes; 1 colors



■ 1. Black (Bro:900)

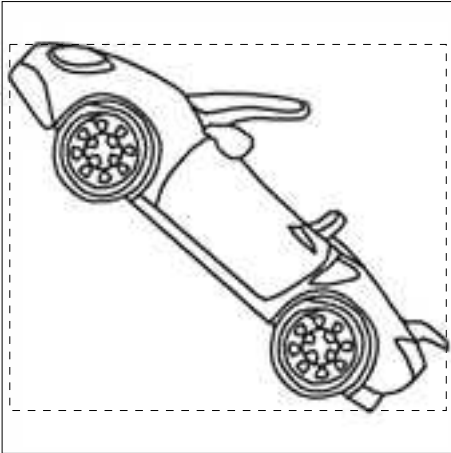
Eo706-Bw-11-8x12.pes

11.63x7.71 inches; 5,338 stitches
1 thread changes; 1 colors

EO706 Please enjoy this fun set of sports cars. This bw set sews out quickly in bean stitch Beryl - Emerald Originals

D:\00 SEWING AND EMBROIDERY\00 EMERALD ORIGINALS\000 non golden group sets\00000 EO Sets\EO706-EO707-Zipping Down the Highway\EO706

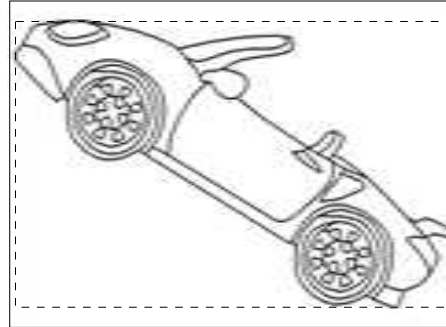
Printed 12/15/2018



■ 1. Black (Bro:900)

Eo706-Bw-12-4x4.pes

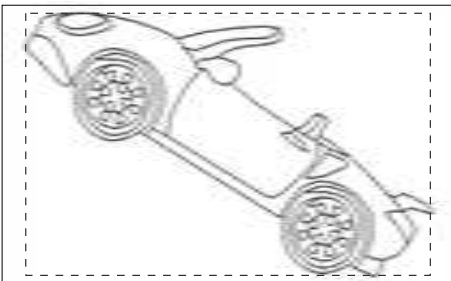
3.80x3.19 inches; 2,774 stitches
1 thread changes; 1 colors



■ 1. Black (Bro:900)

Eo706-Bw-12-5x7.pes

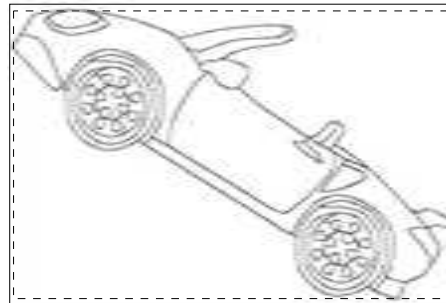
6.91x4.48 inches; 4,450 stitches
1 thread changes; 1 colors



■ 1. Black (Bro:900)

Eo706-Bw-12-6x10.pes

9.17x5.94 inches; 5,818 stitches
1 thread changes; 1 colors



■ 1. Black (Bro:900)

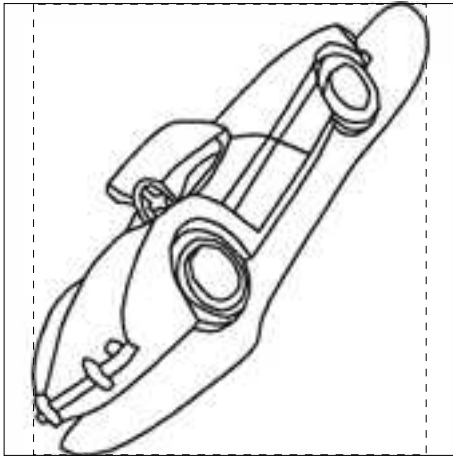
Eo706-Bw-12-8x12.pes

11.61x7.52 inches; 7,314 stitches
1 thread changes; 1 colors

EO706 Please enjoy this fun set of sports cars. This bw set sews out quickly in bean stitch Beryl - Emerald Originals

D:\00 SEWING AND EMBROIDERY\00 EMERALD ORIGINALS\000 non golden group sets\00000 EO Sets\EO706-EO707-Zipping Down the Highway\EO706

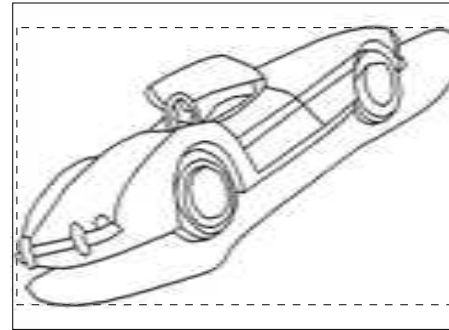
Printed 12/15/2018



■ 1. Black (Bro:900)

Eo706-Bw-13-4x4 pes

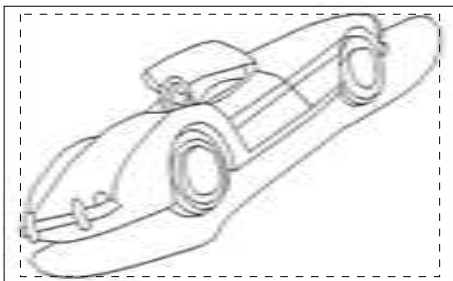
3.42x3.92 inches; 2,514 stitches
1 thread changes; 1 colors



■ 1. Black (Bro:900)

Eo706-Bw-13-5x7 pes

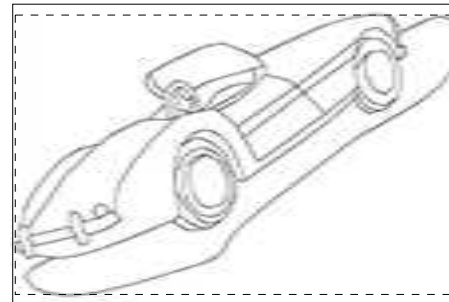
6.96x4.35 inches; 3,874 stitches
1 thread changes; 1 colors



■ 1. Black (Bro:900)

Eo706-Bw-13-6x10 pes

9.50x5.94 inches; 5,238 stitches
1 thread changes; 1 colors



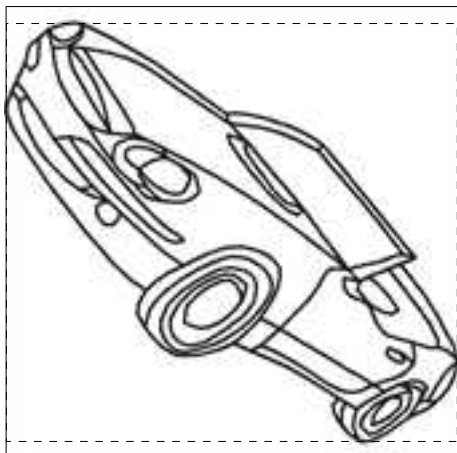
■ 1. Black (Bro:900)

Eo706-Bw-13-8x12 pes

11.67x7.30 inches; 6,374 stitches
1 thread changes; 1 colors

EO706 Please enjoy this fun set of sports cars. This bw set sews out quickly in bean stitch Beryl - Emerald Originals

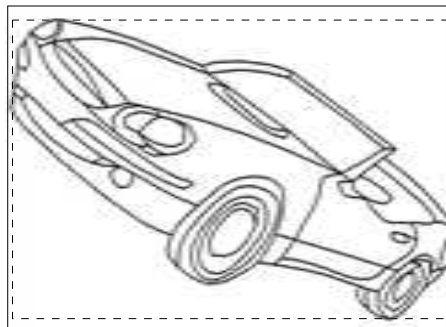
Printed 12/15/2018



■ 1. Black (Bro:900)

Eo706-Bw-14-4x4.pes

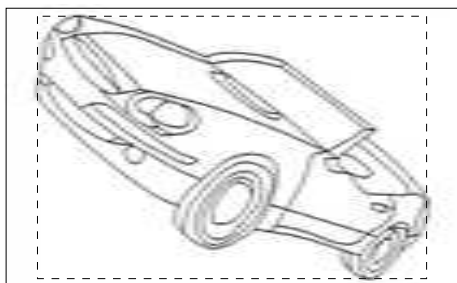
3.93x3.64 inches; 3,358 stitches
1 thread changes; 1 colors



■ 1. Black (Bro:900)

Eo706-Bw-14-5x7.pes

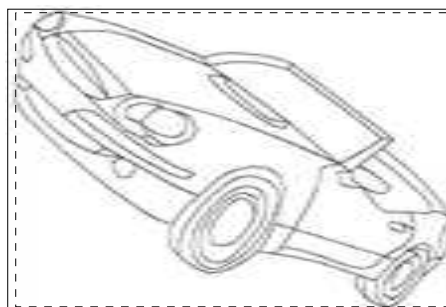
6.93x4.68 inches; 5,218 stitches
1 thread changes; 1 colors



■ 1. Black (Bro:900)

Eo706-Bw-14-6x10.pes

8.81x5.94 inches; 6,570 stitches
1 thread changes; 1 colors



■ 1. Black (Bro:900)

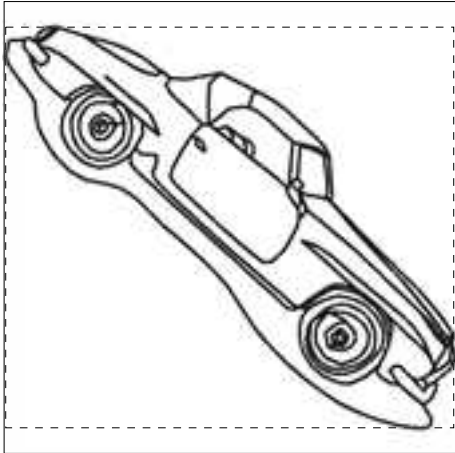
Eo706-Bw-14-8x12.pes

11.40x7.69 inches; 8,454 stitches
1 thread changes; 1 colors

EO706 Please enjoy this fun set of sports cars. This bw set sews out quickly in bean stitch Beryl - Emerald Originals

D:\00 SEWING AND EMBROIDERY\00 EMERALD ORIGINALS\000 non golden group sets\00000 EO Sets\EO706-EO707-Zipping Down the Highway\EO706

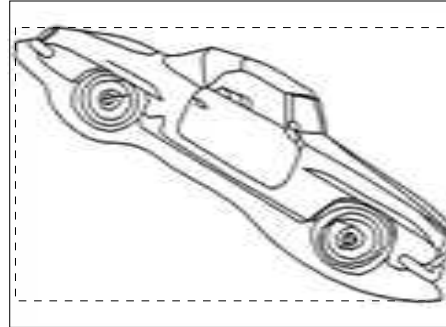
Printed 12/15/2018



■ 1. Black (Bro:900)

Eo706-Bw-15-4x4.pes

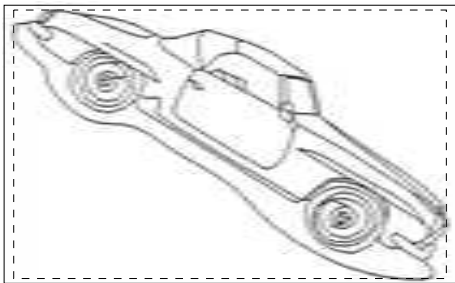
3.90x3.49 inches; 3,062 stitches
1 thread changes; 1 colors



■ 1. Black (Bro:900)

Eo706-Bw-15-5x7.pes

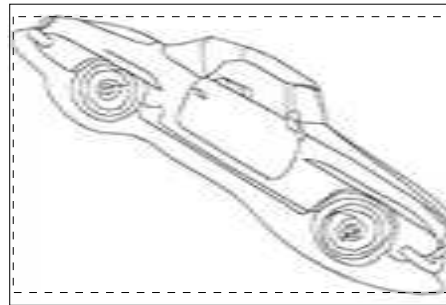
6.91x4.28 inches; 4,632 stitches
1 thread changes; 1 colors



■ 1. Black (Bro:900)

Eo706-Bw-15-6x10.pes

9.80x6.08 inches; 6,438 stitches
1 thread changes; 1 colors



■ 1. Black (Bro:900)

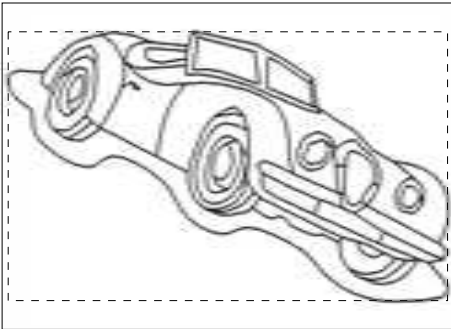
Eo706-Bw-15-8x12.pes

11.63x7.21 inches; 7,636 stitches
1 thread changes; 1 colors

EO706 Please enjoy this fun set of sports cars. This bw set sews out quickly in bean stitch Beryl - Emerald Originals

D:\00 SEWING AND EMBROIDERY\00 EMERALD ORIGINALS\000 non golden group sets\00000 EO Sets\EO706-EO707-Zipping Down the Highway\EO706

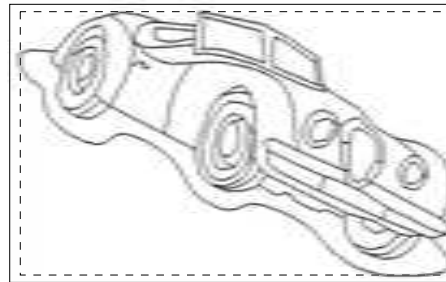
Printed 12/15/2018



■ 1. Black (Bro:900)

Eo706-Bw-16-5x7 pes

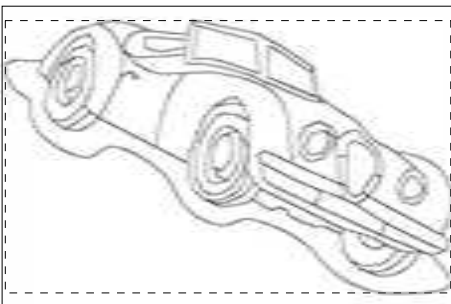
6.89x4.22 inches; 4,998 stitches
1 thread changes; 1 colors



■ 1. Black (Bro:900)

Eo706-Bw-16-6x10 pes

9.76x5.97 inches; 6,936 stitches
1 thread changes; 1 colors



■ 1. Black (Bro:900)

Eo706-Bw-16-8x12 pes

11.65x7.12 inches; 8,242 stitches
1 thread changes; 1 colors



■ 1. Black (Bro:900)

Eo706-Bw-16-Free-4x4 pes

3.89x3.87 inches; 3,426 stitches
1 thread changes; 1 colors